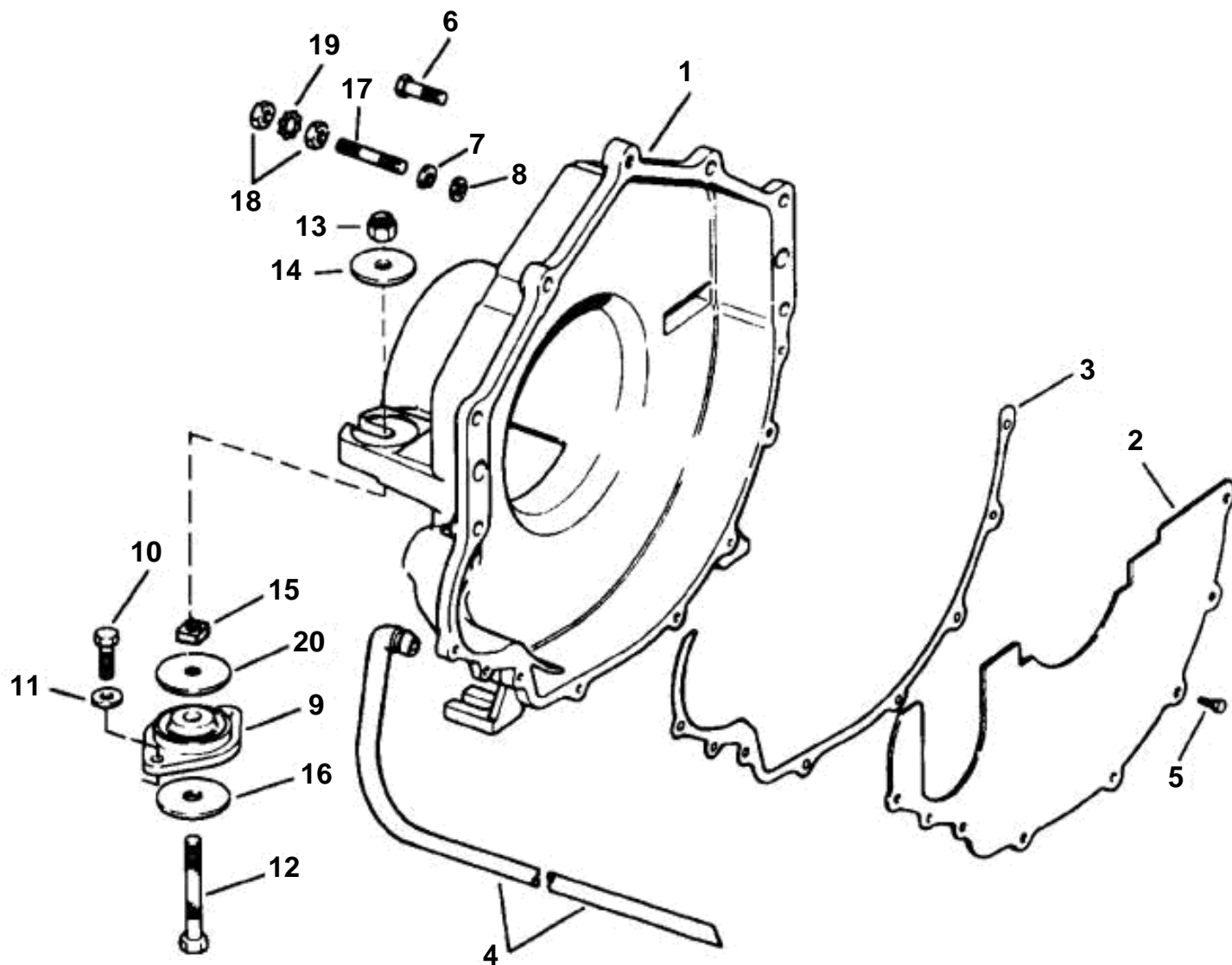


FLYWHEEL HOUSING AND MOUNTS



FLYWHEEL HOUSING AND MOUNTS

REF	PART NO.	QTY	DESCRIPTION	NOTES
1	3853457	1	Flywheel housing	
2	3854901	1	· Inspection cover, Flywheel	
3	3853002	1	· Gasket, Flywheel housing	Part of lower gasket set.
4	3852832	1	· Hose, Flywheel housing	
5	3852421	7	· Screw, Flywheel cover	
6	3853326	1	· Screw, Flywheel housing	
7	3852002	1	· Lock washer, Flywheel housing	
8	3852058	1	· Washer, Ground stud, flywheel housing	
9	3853806	1	· Rubber cushion	
10	959968	4	· Screw, Rear mount to plate	
11	3852155	4	· Washer, Rear mount to plate	
12	3850930	2	· Screw, Rear mount	
13	3850929	2	· Nut, Rear mount	
14	3852540	2	· Washer, Rear mount to flywheel hsg	
15	3852539	2	· Nut	
16	3852542	2	· Washer	
17	3850571	1	· Stud, Ground	
18	3852065	2	· Nut, Terminal to ground stud, flywheel hsg	
19	3852070	1	· Washer, Ground stud, flywheel hsg	
20	3852622	2	· Washer, Rear mount	